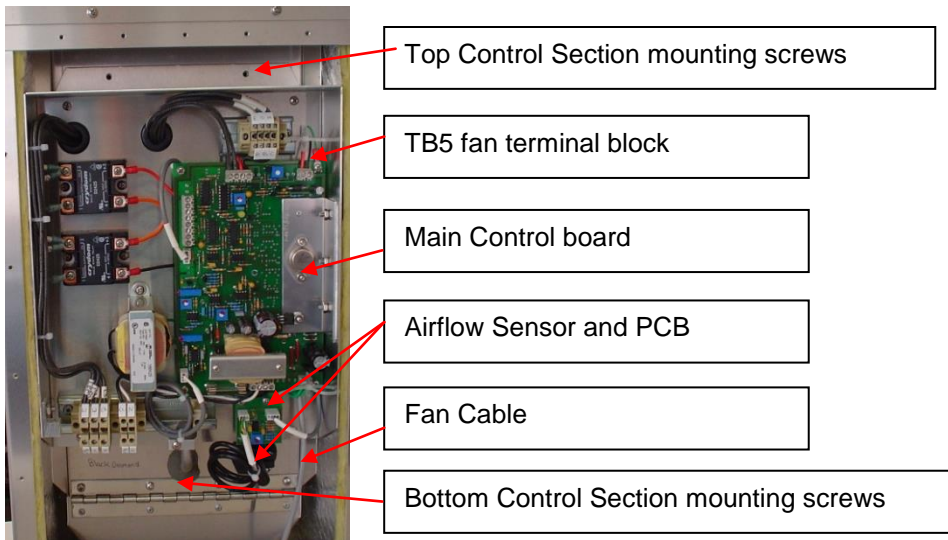
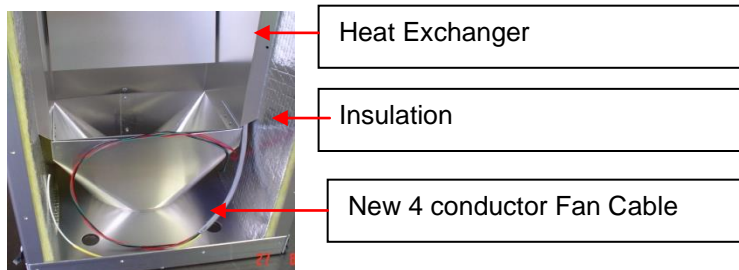


IMPORTANT – READ THE FOLLOWING

Instructions for TachOP Upgrade with 6224N or 6224NH fans



1. Shut off both the heating circuit (TB8) and the control circuit (TB7) to the blower heater.
2. Disconnect fan at TB5.
3. Pull fan cable free and out to the bottom of the unit.
4. Remove Control Section top and bottom mounting screws and remove the control section.
5. Notice the fan cable comes down from the fan base behind the heat exchanger and the new cable must remain behind the heat exchanger in the insulated area.



6. Remove the Louver section to expose the fan.
7. Remove the old fan and cable.
8. **Mount the new fan in its place ensuring the airflow arrow on the fan is pointing down (or fan will be mounted upside down).**
9. Feed the fan cable back through the grommet and down behind the heat exchanger (between the heat exchanger and insulation) and out the bottom of the unit as above.
10. Bring the red and black wires from the new fan cable up behind the main control board to TB5 leaving the yellow wire at the bottom to connect to the TachOP PCB
11. Make proper connections at TB5 as per wiring diagram attached.
12. Disconnect the 2 jacks from the Airflow Sensor PCB and remove the PCB.
13. Mount the New TachOP PCB in its place.
14. Connect the jack from the main board into the 4 pin terminal block and the yellow fan wire to either terminal on the 2 pin terminal.
15. Remove the Airflow Sensor and plug the holes with the plastic plug provided and replacing the mounting screws ensuring all holes are plugged so no moisture or fumes enter the control section.
16. Apply the new adhesive backed internal wiring diagram provided over the existing diagram on the cover panel to update drawings.
17. Re-install the control section and check all connections.
18. Test the TachOP function by turning the unit on, confirm there is airflow and that the Status Board "No Air" LED and LED on TachOP PCB are not lit up. Disconnect the Positive lead (red wire) at TB5, this should stop the fan. The "No Air" on the Status Board should light up as well as the LED on The TachOP.
19. Reconnect the red wire, check all connections, ensure all holes are sealed and replace the cover using all the screws provided.