



# DEXON CANADA AIR SYSTEMS INC.

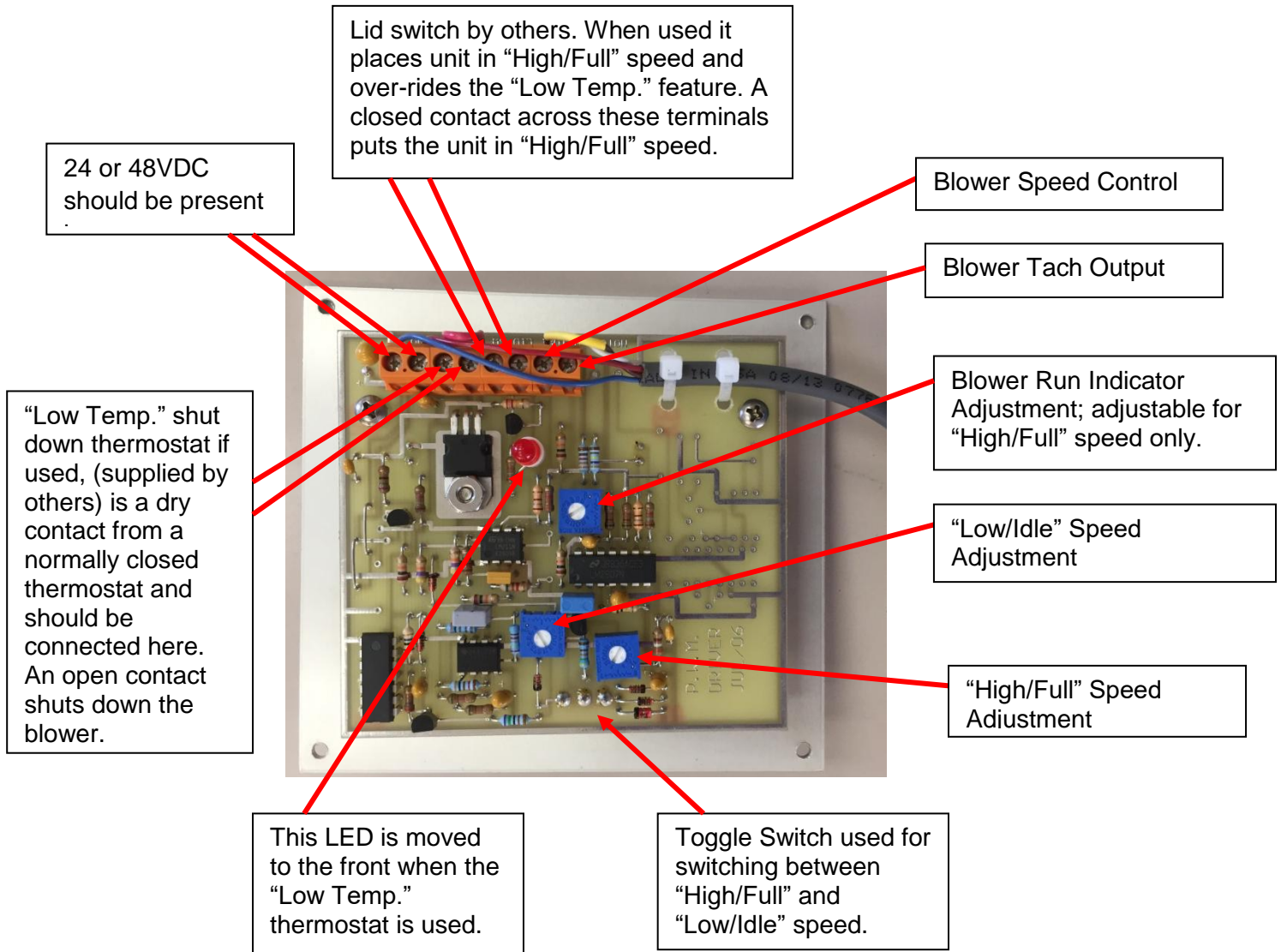
## TROUBLE SHOOTING GUIDE FOR WVOD SERIES

<b>Problem</b>	<b>POSSIBLE CAUSE</b>	<b>CORRECTIVE ACTION</b>
Vent fan not operating.	No 120VAC power to the power terminals in the vent fan housing.	Check for 120VAC as per wiring diagram. If not present check power source and fuses etc.
	No 24 or 48VDC power from vent fan housing terminal block to power status indicator/controller.	Check for "Power On" indication on status indicator/controller. If on continue to next possible cause below. If off, check terminal block in vent fan for 24 or 48VDC. If none present; trouble shoot back through rectifier, transformer, capacitor and blower. Replace as required.
	No 0-10VDC power present from status indicator/controller to vent fan.	Ensure the status indicator/controller is energized. Check "Speed Control" terminal to negative on the status indicator/controller in both "High/Full" speed and "Low/Idle" speed. If present proceed to next possible cause below. If not present replace the status indicator/controller.
	Blower has expired or wiring terminals are corroded and/or broken.	De-energize 120VAC circuit and check that the blower spins freely. Check for corroded wire or signs of moisture/frost. Replace blower as required.

If the above recommendations do not solve the problem please contact Dexon Canada Air Systems at 403-930-1284 or email [techsupport@dexoncanada.com](mailto:techsupport@dexoncanada.com).

## STATUS INDICATOR/CONTROLLER DESCRIPTION

Note: Description below is assuming the status indicator/controller is energized.



CONTACT INFORMATION:  
Email: [techsupport@dexoncanada.com](mailto:techsupport@dexoncanada.com), Website: [www.dexoncanada.com](http://www.dexoncanada.com)  
Tech Support Phone: 403-930-1284, Admin Phone: 403-272-0562