



DEXON CANADA AIR SYSTEMS INC.

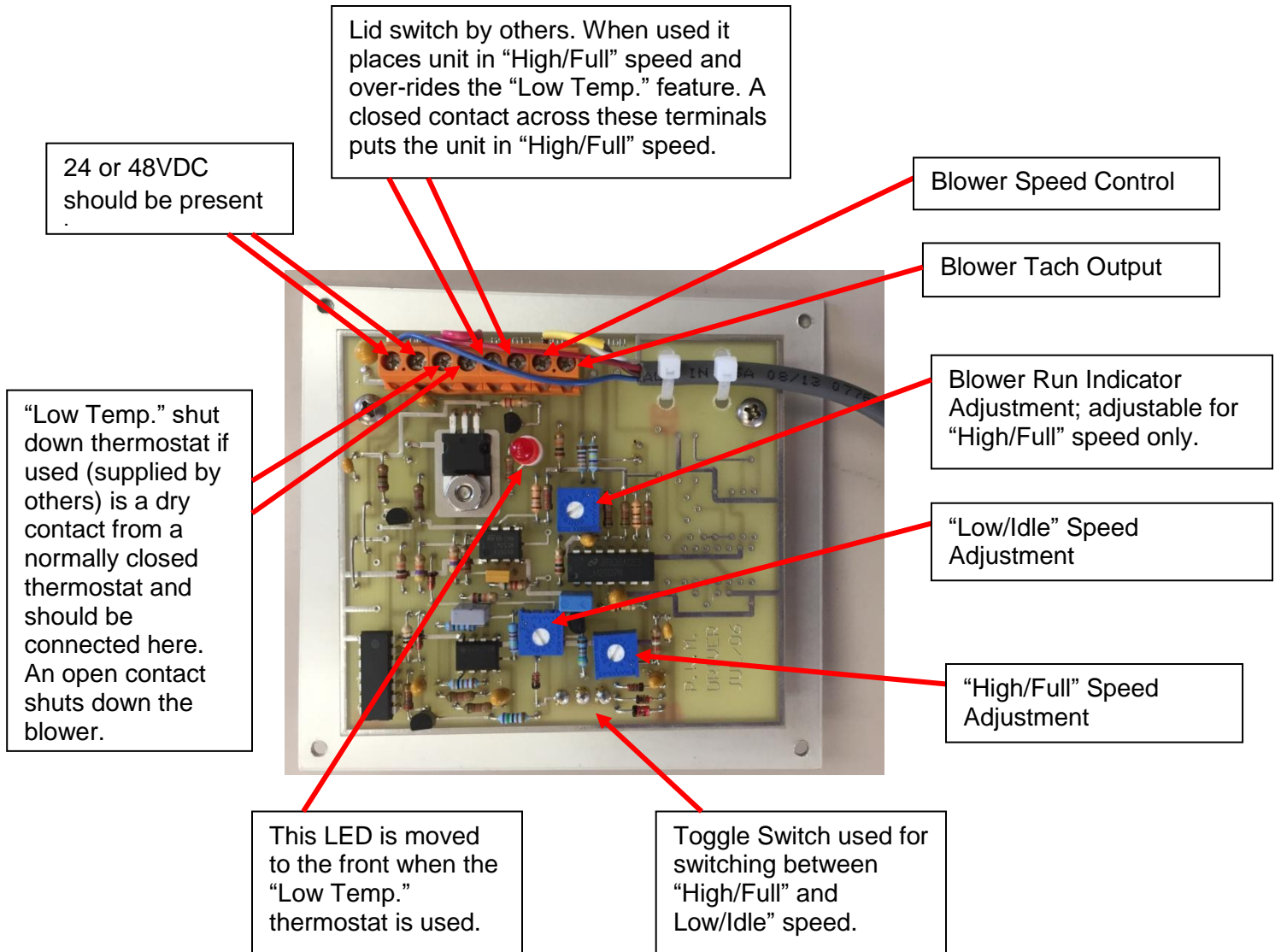
TROUBLE SHOOTING GUIDE for SMVOD SERIES

| Problem | POSSIBLE CAUSE | CORRECTIVE ACTION |
|-------------------------|---|---|
| Vent fan not operating. | No 120VAC power to the power terminals in the vent fan housing. | Check for 120VAC as per wiring diagram. If not present check power source and fuses etc. |
| | No 24 or 48VDC power from vent fan housing terminal block to power status indicator/controller. | Check for "Power On" indication on status indicator/controller. If on continue to next possible cause below. If off; check terminal block in vent fan for 24 or 48VDC. If none present, trouble shoot back through rectifier, transformer, capacitor and blower. Replace as required. |
| | No 0-10VDC power present from status indicator/controller to vent fan. | Ensure the status indicator/controller is energized. Check "Speed Control" terminal to negative on the status indicator/controller in both "High/Full" speed and "Low/Idle" speed. If present proceed to next possible cause below. If not present replace the status indicator/controller. |
| | Blower has expired or wiring terminals are corroded and/or broken. | De-energize 120VAC circuit and check that the blower spins freely. Check for corroded wire or signs of moisture/frost. Replace blower as required. |

If the above recommendations do not solve the problem please contact Dexon Canada Air Systems at 403-930-1284 or email techsupport@dexoncanada.com.

STATUS INDICATOR/CONTROLLER DESCRIPTION

Note: Description below is assuming the status indicator/controller is energized.



CONTACT INFORMATION:

Email: techsupport@dexoncanada.com, Website: www.dexoncanada.com

Tech Support Phone: 403-930-1284, Admin Phone: 403-272-0562